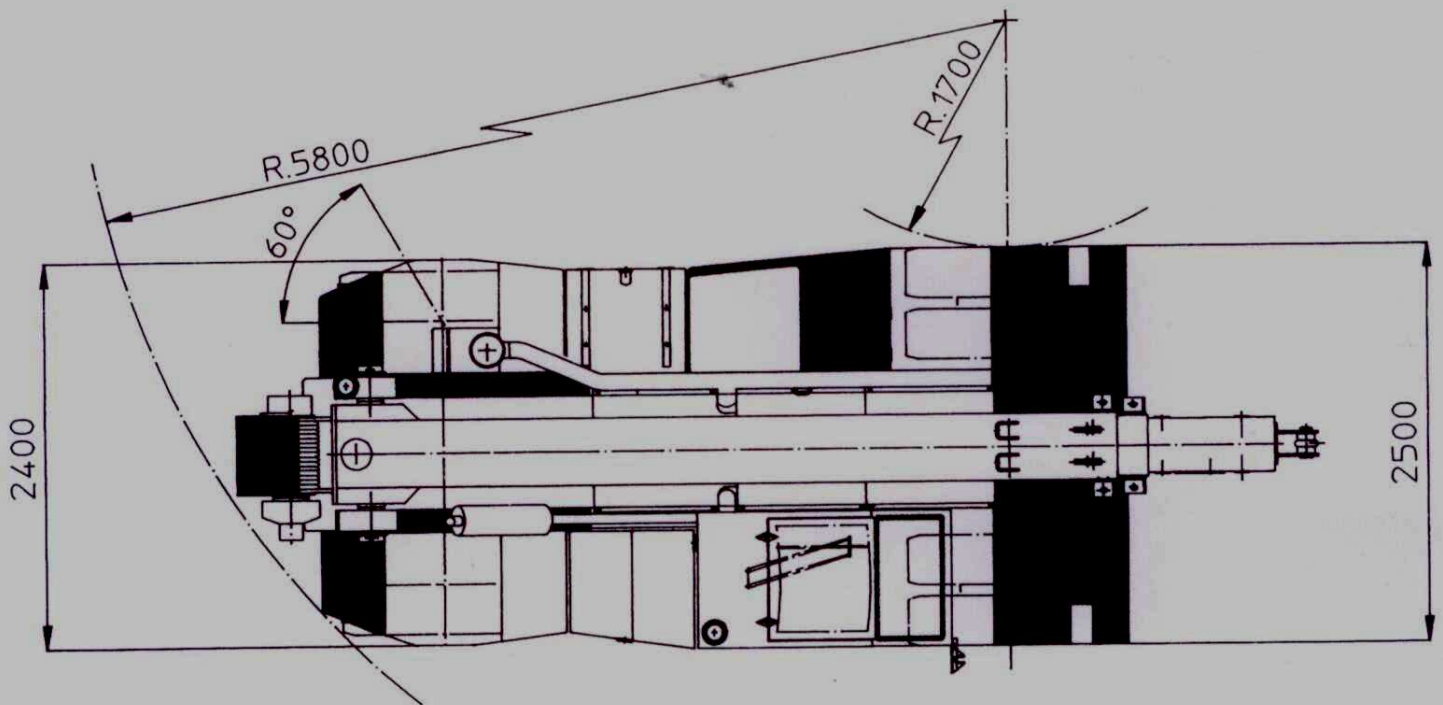
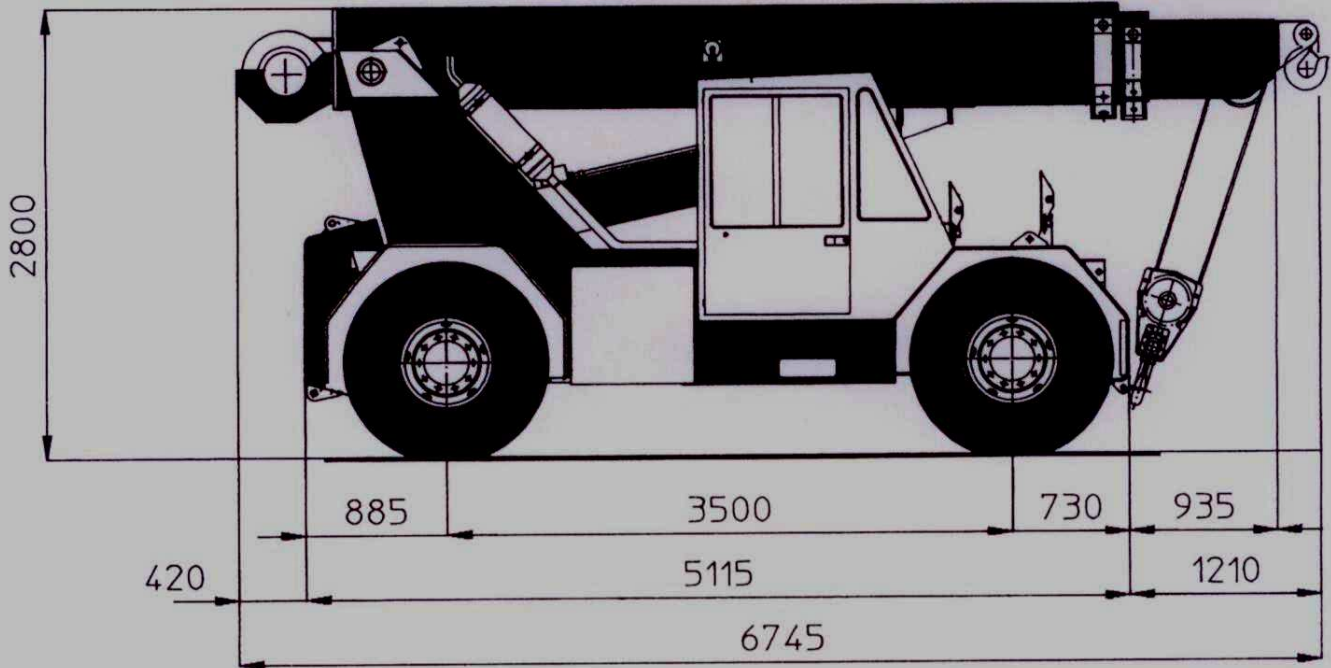


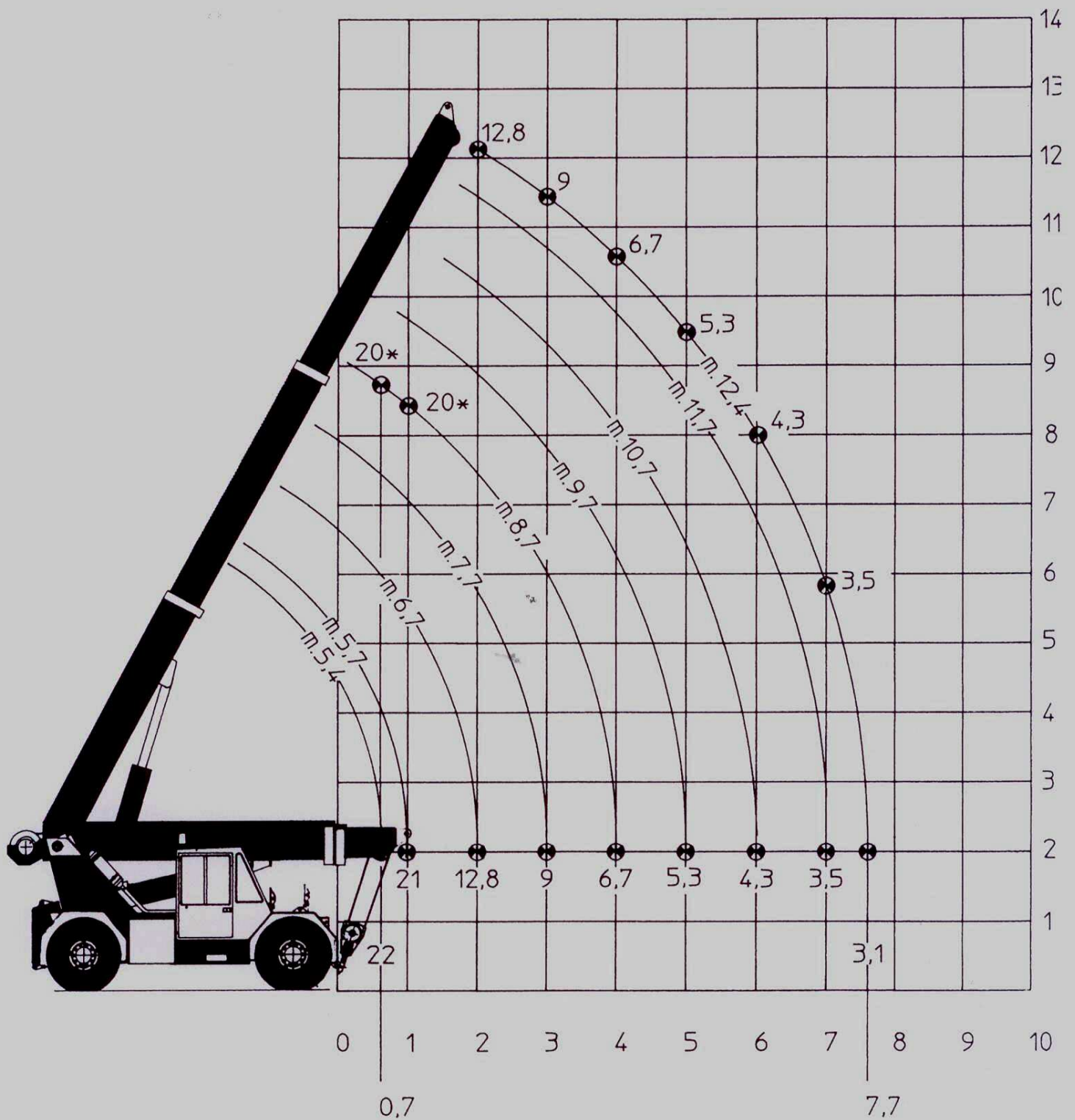
**DIMENSIONI GENERALI - GENERAL DIMENSION
DIMENSIONS GENERALES**



- In trasferimento su strada
- Over the road travel
- Pour déplacement sur route

Din 15019.2

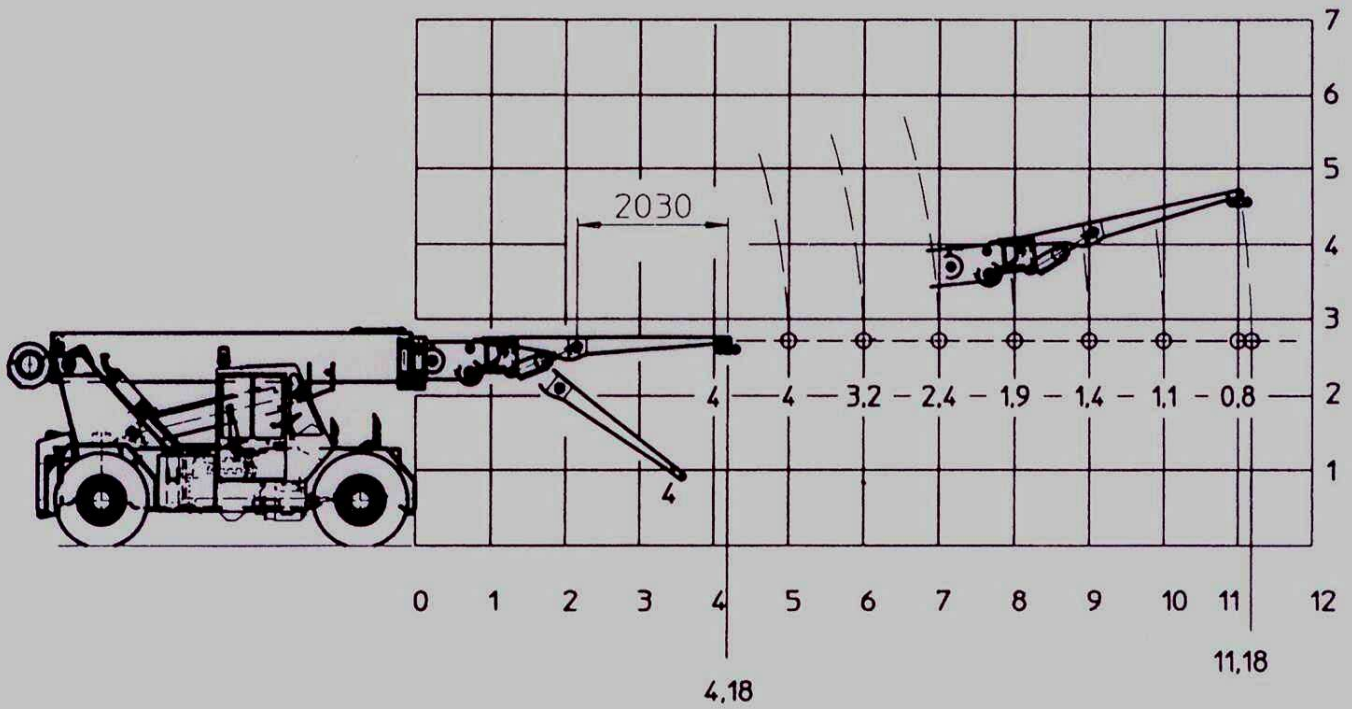
TABELLA PORTATA DI SOLLEVAMENTO (TON) - CONTRAPPESO SUPPLEMENTARE
 LIFTING CAPACITY CHART (TONNES) - CRANE WITH AUXILIARY COUNTERWEIGHT
 TABLEAU DE CHARGES (TONNES) - CONTREPOIDS SUPPLEMENTAIRE



- Portate determinate da fattori diversi dal ribaltamento
- Capacities determined by factors than tipping load
- Forces de levage déterminées par des facteurs autres que le basculement

Din 15019.2

TABELLA PORTATA JIB A MOVIMENTAZIONE IDRAULICA (TON) - CONTRAPPESO STANDARD
 HIDRAULIC MOTION FLY - JIB LIFTING CAPACITY CHART (TONNES) - CRANE WITH STANDARD COUNTERWEIGHT
 TABLEAU DE CHARGES POUR FLECHETTE HYDRAULIQUE (TONNES) - CONTREPOIDS STANDARD



Din 15019.2

TABELLA PORTATA JIB A MOVIMENTAZIONE IDRAULICA (TON) - CONTRAPPESO SUPPLEMENTARE
 HIDRAULIC MOTION FLY - JIB LIFTING CAPACITY CHART (TONNES) - CRANE WITH AUXILIARY COUNTERWEIGHT
 TABLEAU DE CHARGES POUR FLECHETTE HYDRAULIQUE (TONNES) - CONTREPOIDS SUPPLEMENTAIRE

